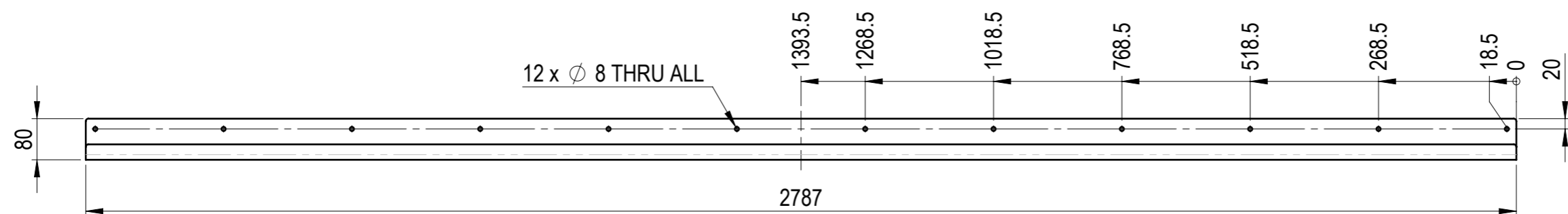
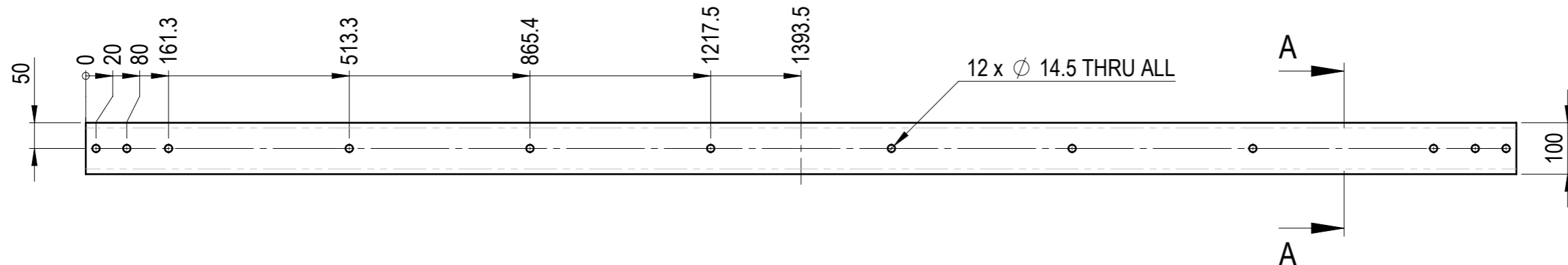
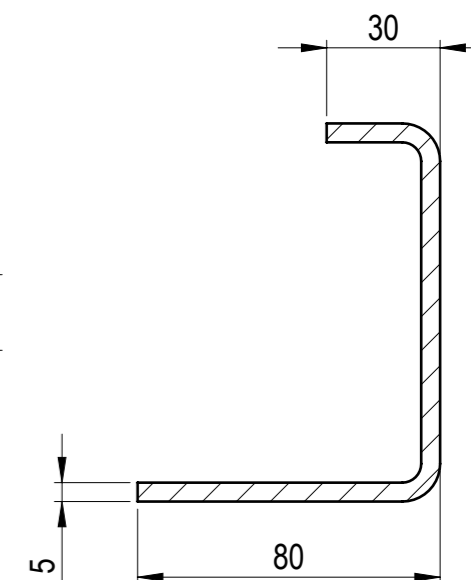
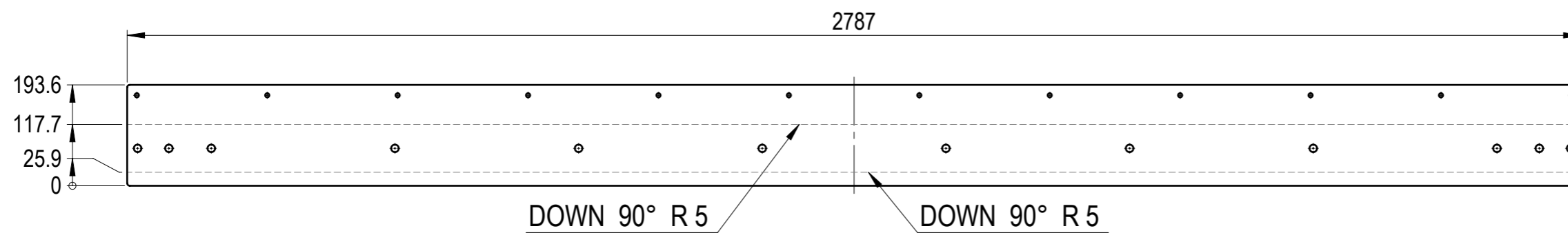


SECTION A-A
SCALE 1 : 2



Flat Pattern view
SCALE: 1:10



SHEET METAL INFORMATION	
Length, mm	2787
Width, mm	193.6
Thickness, mm	5
Inside Bend Radius, mm	5
K-Factor	0.5
No. of Bends	2

Other dimensions from .DXF file.

WEMPS ENGINEERING SERVICES	MATERIAL	WEIGHT	DEBURR AND BREAK SHARP EDGES		REVISION	DATE
	S355J2	20.937 Kg	DO NOT SCALE DRAWING			4/8/2025
	SURFACE PROTECTION	MACHINING	THERMAL CUTTING	WELDING	SCALE	FORMAT
	HDG EN ISO 1461	ISO 2768 mK	ISO 9013 441	ISO 13920 BF	1:10	A3
	NAME	SIGNATURE	PART NO.			
Designed by	D. Dislers		105-05000-03			
Drawn by	E. Kriviss		DESCRIPTION			
Technical ref.			U channel - unequal leg			SHEET 1/1